

Eye Self Locking Hook Cartec CROX

Product information



Eye self-locking hook CROX designed for grade 100 lifting applications. Equipped with an automatic locking mechanism that engages when under load, ensuring secure and safe lifting without accidental release. The eye design allows easy connection to master links or slings, making it suitable for single-leg or multi-leg chain assemblies.

... [Read more](#)

Material: Alloy steel

Marking: CE-marked

Temperature range: -40°C up to +200°C without reduction in WLL

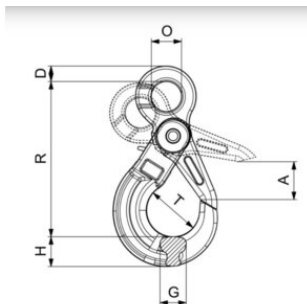
Finish: Powder coated

Safety factor: 4:1

Grade: 10

Eye Self Locking Hook Cartec CROX

Blueprint



Technical data

Part code	Chain diameter in	WLL lb	A in	D in	G, in	H, in	Omm in	Rmm in	T in	Weight lb
402300142330	1/4	3,000	1.1	0.43	0.63	0.83	0.83	4.29	1.38	1.1
402300252330	9/32-5/16	5,700	1.34	0.47	0.79	1.02	1.06	5.31	1.69	2.12
402300402330	3/8	8,800	1.77	0.63	0.98	1.18	1.34	6.61	2.2	3.64
402300672330	1/2	15,000	2.01	0.79	1.38	1.57	1.57	8.07	2.72	7.17
402301002330	5/8	22,600	2.36	1.06	1.42	1.97	1.97	9.88	3.15	13.45
402301602330	3/4	35,300	2.76	1.18	2.36	2.64	2.36	11.42	3.54	21.61
402301902330	7/8	42,700	3.15	1.26	2.44	2.76	2.76	12.68	3.94	31.75