

## Standard Reeve Crane Blocks 3 Sheaves

### Product information



#### General:

- Standard Reeve Crane Blocks may be used on a wide variety of land based cranes such as mobile and crawler cranes. They are an excellent choice where frequent easy block change is not a required main feature, or lifting height is limited.
- Double sealed maintenance free roller bearings.
- Design Factor of Safety of 4:1.
- Forged high tensile steel DIN hooks.
- Ductile iron sheaves, featuring graphite lubricated groove.
- High impact resistant side plates.
- Operational temperature range -40 up to +80°C.
- Lubrication on hook suspension.
- Short design for increased lifting height.
- Safety latch with locking pin.
- C3M finish in signal yellow.

#### Options:

- Double hook.
- Double hook with shackle hole.
- Quad hook.
- Shackle stud eye.

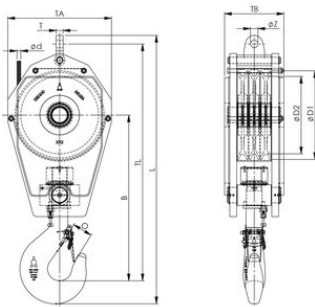
#### Important:

**Inquiries for custom versions are welcome!**

[... Read more](#)

## Standard Reeve Crane Blocks 3 Sheaves

### Blueprint



### Technical data

Part code	WLL (metric) tonnes	Model	Rope Ø mm	Hooksize	Weight lb
6097SRB26014325E	25	SRB 260 .14 .3 .25 .E	14	8	462.97
6097SRB26016325E	25	SRB 260 .16 .3 .25 .E	16	8	462.97
6097SRB28516329E	29	SRB 285 .16 .3 .29 .E	16	8	462.97
6097SRB32016329E	29	SRB 320 .16 .3 .29 .E	16	8	496.04
6097SRB35519332E	32	SRB 355 .19 .3 .32 .E	19	10	716.5
6097SRB36019340E	40	SRB 360 .19 .3 .40 .E	19	12	1,003.1
6097SRB40022340E	40	SRB 400 .22 .3 .40 .E	22	12	1,102.31
6097SRB40022350E	50	SRB 400 .22 .3 .50 .E	22	16	1,102.31
6097SRB40022350E	50	SRB 400 .22 .3 .50 .E	22	16	1,190.5
6097SRB45022363E	63	SRB 450 .22 .3 .63 .E	22	16	1,499.14
6097SRB45024363E	63	SRB 450 .24 .3 .63 .E	24	16	1,697.56
6097SRB45026363E	63	SRB 450 .26 .3 .63 .E	26	16	1,697.56
6097SRB52826380E	80	SRB 528 .26 .3 .80 .E	24	20	2,799.87
6097SRB52826380E	80	SRB 528 .26 .3 .80 .E	26	20	2,799.87
6097SRB528263100E	100	SRB 528 .26 .3 .100 .E	26	25	2,799.87
6097SRB528283100E	100	SRB 528 .28 .3 .100 .E	28	25	2,799.87
6097SRB670283125E	125	SRB 670 .28 .3 .125 .E	28	25	6,393.41
6097SRB670323125E	125	SRB 670 .32 .3 .125 .E	32	25	6,393.41