

## Button Spelter Sockets, Crosby, SB-427TB (Bolt, Nut and Cotter Pin)

---

### Product information



- Available in six sizes from 13 mm - 38 mm.
- Button Spelter terminations have a 100% efficiency rating, based on the catalog strength of the wire rope.
- Designed for use with mobile cranes. Can be used to terminate high performance, rotation resistant ropes, and standard 6 strand ropes.
- Easy to install assembly utilizes Crosby WIRELOCK® socketing compound.
- Sockets and buttons are re-usable.
- Replacement buttons and sockets are available.
- Locking feature available to prevent rotation of rope.
- Button contains cap with eye that can be attached to, and used to pull, rope during reeving process.
- Manufactured to the requirements of API-2C.

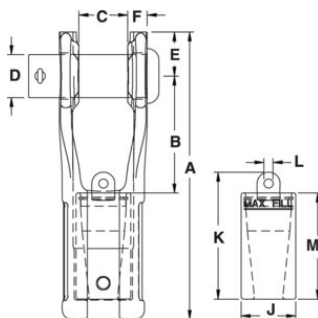
... [Read more](#)

---

**Note:** Bolt, Nut and Cotter Pin

## Button Spelter Sockets, Crosby, SB-427TB (Bolt, Nut and Cotter Pin)

### Blueprint



### Technical data

Part code	Rope Ø range mm	MBL tonnes	Finish	A in	B in	C in	D, in	E in	F in	J in	K in	L in	Mmm in	Tolerance +/- C mm in	Weight lb
122101600355	13-16	27	Painted	7.95	3.23	1.3	1.18	1.22	0.55	1.5	3.5	0.24	2.91	0.06	6.08
122101900355	16-19	45	Painted	9.45	3.9	1.54	1.38	1.46	0.67	1.73	4.29	0.39	3.43	0.06	10.3
122102200355	19-22	57	Painted	10.83	4.41	1.77	1.61	1.69	0.75	2.05	4.76	0.39	3.98	0.06	17.09
122102600355	22-26	82	Painted	12.87	5.47	2.05	2.01	2.01	0.91	2.44	5.63	0.63	4.53	0.09	29.19
122103200355	28-32	136	Painted	14.88	5.67	2.52	2.24	2.52	1.1	2.95	7.09	0.75	5.71	0.09	45.99
122103800355	35-38	161	Painted	18.07	7.17	3.03	2.76	2.76	1.22	3.62	8.07	0.75	6.77	0.09	78