

## Button Spelter Sockets, Crosby, SB-427

---

### Product information



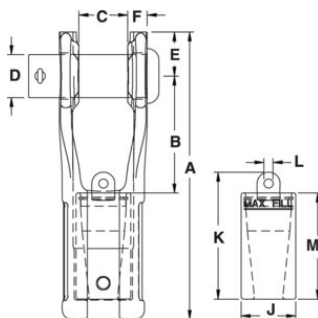
- Available in six sizes from 13 mm - 38 mm.
- Button Spelter terminations have a 100% efficiency rating, based on the catalog strength of the wire rope.
- Designed for use with mobile cranes. Can be used to terminate high performance, rotation resistant ropes, and standard 6 strand ropes.
- Easy to install assembly utilizes Crosby WIRELOCK® socketing compound.
- Sockets and buttons are re-usable.
- Replacement buttons and sockets are available.
- Locking feature available to prevent rotation of rope.
- Button contains cap with eye that can be attached to, and used to pull, rope during reeving process.
- Manufactured to the requirements of API-2C.

... [Read more](#)

---

## Button Spelter Sockets, Crosby, SB-427

### Blueprint



### Technical data

| Part code    | Rope Ø range mm | MBL tonnes | Finish  | A in  | B in | C in | D, in | E in | F in | J in | K in | L in | Mmm in | Tolerance +/- C mm in | Weight lb |
|--------------|-----------------|------------|---------|-------|------|------|-------|------|------|------|------|------|--------|-----------------------|-----------|
| 122101600265 | 13-16           | 27         | Painted | 7.95  | 3.23 | 1.3  | 1.18  | 1.22 | 0.55 | 1.5  | 3.5  | 0.24 | 2.91   | 0.06                  | 6.08      |
| 122101900265 | 16-19           | 45         | Painted | 9.45  | 3.9  | 1.54 | 1.38  | 1.46 | 0.67 | 1.73 | 4.29 | 0.39 | 3.43   | 0.06                  | 10.3      |
| 122102200265 | 19-22           | 57         | Painted | 10.83 | 4.41 | 1.77 | 1.61  | 1.69 | 0.75 | 2.05 | 4.76 | 0.39 | 3.98   | 0.06                  | 17.09     |
| 122102600265 | 22-26           | 82         | Painted | 12.87 | 5.47 | 2.05 | 2.01  | 2.01 | 0.91 | 2.44 | 5.63 | 0.63 | 4.53   | 0.09                  | 29.19     |
| 122103200265 | 28-32           | 136        | Painted | 14.88 | 5.67 | 2.52 | 2.24  | 2.52 | 1.1  | 2.95 | 7.09 | 0.75 | 5.71   | 0.09                  | 45.99     |
| 122103800265 | 35-38           | 161        | Painted | 18.07 | 7.17 | 3.03 | 2.76  | 2.76 | 1.22 | 3.62 | 8.07 | 0.75 | 6.77   | 0.09                  | 78        |