

## Shackle Crosby G-2160, Wide Body

### Product information



**Design:** Wide body shackle. Shackle with improved bow radius that greatly improves life of wire rope slings. Can be used to connect wire rope slings, high strength synthetic web slings or high strengths ynthetic round slings. Approved for use at -40 degree C to 204 degree C. Shackles 18t and larger have DNV Type Approval to Rules for Certification of Lifting Appliances, and are produced in accordance with DNV MSA requirements.

**Proof load:** All 2160 shackles are individually proof tested and magnetic particle inspected. Sizes 300 metric tons and smaller are proof tested to 2 times the Working Load Limit, sizes 400 metric tons and larger are tested to 1.33 times Working Load Limit.

[... Read more](#)

**Material:** Forged alloy steel from 7 through 300 metric tons. Cast alloy steel from 400 through 1550 metric tons.

**Marking:** According to standard, CE-marked, WLL. Shackles, 30t and larger, are RFID EQUIPPED.

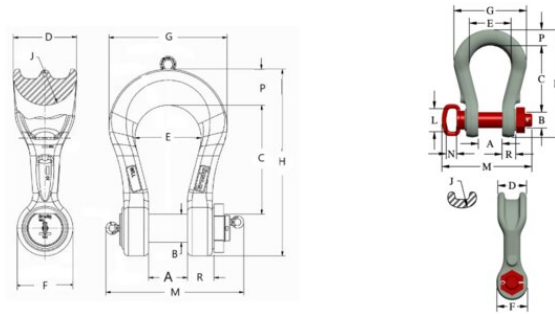
**Finish:** 7-55 tons are galvanized with painted pin. 75t and larger, bows are furnished Dimetcoated, and pins are Dimetcoated, then painted.

**Standard:** DNV-OS-E101, DNV-ST-0377, DNV-ST-0378

**Safety factor:** 7-300 t 5:1 ; 400 t < 4,5:1.

## Shackle Crosby G-2160, Wide Body

### Blueprint



### Technical data

Part code	WLL (metric tonnes)	Effective body Ø mm	A in	B in	C in	D in	E in	F in	G, in	H, in	J in	K in	L in	Mmm in	Nmm in	Pmm in	Rmm in	Weight lb
420100700260	7	53	1.26	0.87	3.54	1.61	2.52	1.81	4.09	5.87	1.26	1.26	-	4.13	-	0.94	0.71	3.99
420101250260	12.5	61	1.69	1.14	4.65	2.13	3.27	2.4	5.51	7.64	1.38	1.61	-	5.39	-	1.26	0.91	8.8
420101800260	18	71	2.05	1.38	5.83	2.52	4.02	2.68	6.77	9.37	1.5	2.01	-	6.69	-	1.42	1.18	14.9
420103000260	30	104	2.76	1.61	6.93	3.15	5	3.5	8.5	11.38	2.52	2.52	-	8.11	-	1.77	1.38	26.24
420104000260	40	91	3.39	2.01	8.07	3.74	5.98	4.02	10.63	13.62	1.73	2.99	-	10.2	-	2.32	1.69	46.74
420105500260	55	109	3.27	2.24	9.37	4.49	7.01	4.65	12.24	15.63	2.01	3.5	-	10.35	-	2.64	2.01	67.9
420107500260	75	160	4.13	2.76	11.54	5	7.28	5.35	12.64	18.66	3.74	3.66	4.02	15.04	1.81	2.76	2.4	111.99
420112500260	125	173	5.12	3.15	14.37	5.91	8.66	6.5	15.47	22.99	3.74	4.33	4.02	18.31	1.81	3.5	3.11	192.9
420120000260	200	241	5.91	4.13	18.9	8.54	10.83	8.43	20.28	30.43	5.24	5.43	4.02	19.33	1.81	4.96	3.39	421.08
420130000260	300	290	7.36	5.24	23.62	10.39	12.64	10.51	23.94	37.68	6.14	6.3	4.02	22.6	1.81	5.79	4.29	804.69
420140000260	400	363	8.66	6.3	24.41	14.17	14.76	12.36	26.3	41.81	7.2	7.4	-	30.71	-	8.07	5.91	1,179.47
420150000260	500	439	9.84	7.09	26.97	17.13	17.91	13.39	31.18	46.85	8.74	8.98	-	33.98	-	9.65	6.46	1,754.88
420160000260	600	480	10.87	7.87	29.13	18.7	19.25	14.76	32.13	50.87	9.57	10.35	-	36.93	-	10.43	7.17	2,209.03
420180000260	800	540	13.46	9.06	32.28	21.1	21.81	17.32	35.59	57.56	10.71	11.81	-	42.44	-	12.09	8.35	3,384.1
420110000261	1,000	643	15.91	10.63	33.46	24.02	25.2	19.69	43.94	62.36	13.31	12.6	-	46.73	-	13.74	9.17	4,989.07
420112500261	1,250	709	17.4	11.81	36.54	26.57	27.87	22.44	49.57	68.86	14.61	13.94	-	52.05	-	15.2	9.8	6,801.27
420115500261	1,550	757	18.5	12.6	39.76	28.35	29.72	24.21	51.73	74.45	15.63	14.92	-	56.18	-	16.26	11.42	8,381.98
420120000261	2,000	816	20.47	15.16	44.88	30.31	31.89	26.77	55.59	83.46	16.97	15.94	-	62.87	-	17.6	12.72	11,867.49