

Shackle BN Green Pin Power Sling® P-6043

Product information



The Green Pin Power Sling® Shackle BN is specially developed for heavy lifting. It is the top product in the Green Pin® shackle assortment and the wider lifting industry. The Green Pin Power Sling® Shackle BN has a bending efficiency of 85%. Its shackle crown is the widest in the industry (10% more than shackles of the previous generation) and has an optimal D/d ratio. Furthermore, the areas of the Power Sling® shackle that endure the highest stress have been reinforced. As a result, the Power Sling® lets you save up to 20% on synthetic- and wire rope costs. The long-term performance of the Power Sling® has been scrutinized with tensile- and fatigue testing, subjecting it to more than 40.000 cycles (the API norm specifies 20.000 cycles). Each shackle is proofload tested to twice the working load limit. Ductility of the steel has also been checked at temperatures as low as minus 40 °Celsius degree (-40 °F). Safety and efficiency for riggers are other key benefits of the Power Sling®. The Power Sling® is equipped with six handling points to the body and several more on the pin (larger sizes have more handling points than smaller sizes). Many such handling points are smaller shackles that are attached to the main shackle. Lifting the Power Sling® into place becomes a much safer and easier activity as a result. The Green Pin Power Sling® Shackle BN is available in a range with a working load limit from 125 to 1550T.

Certification on request: 2.1, 2.2, 3.1, MTCb, LROS, MPIb, USb, DNVGL-ST-0378, DNV-GL-ST-0377

... [Read more](#)

Material: Bow and pin alloy steel, quenched and tempered

Marking: CE-marked

Temperature range: -40°C up to +200°C

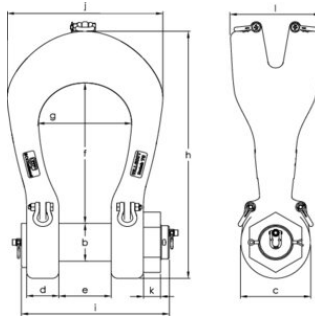
Finish: Shackle bow painted silver, pin painted green

Safety factor: 5:1

Grade: 8

Shackle BN Green Pin Power Sling® P-6043

Blueprint



Technical data

Part code	WLL (metric) tonnes	b mm in	c in	d mm in	e mm in	f mm in	g mm in	h mm in	i mm in	j mm in	k mm in	l mm in	Weight lb
420112500960	125	3.15	6.54	3.35	5.28	14.33	8.66	24.84	15.04	14.57	1.42	8.07	209.44
420115000960	150	3.74	7.17	3.54	5.67	15.31	9.84	27.68	16.06	16.54	1.65	9.76	295.42
420120000960	200	4.13	8.03	3.94	6.06	18.86	10.87	32.99	17.56	18.7	1.85	11.42	429.9
420125000960	250	4.72	9.37	4.33	6.85	21.22	11.81	36.93	19.8	20.28	2.36	12.36	597.45
420130000960	300	5.28	10.24	4.76	7.44	23.58	13.78	0.04	21.65	23.82	2.36	13.58	811.3
420140000960	400	6.3	12.01	5.51	8.82	24.41	14.57	0.04	25.39	25.67	3.15	15.43	1,241.2
420150000960	500	7.09	13.39	5.98	10.04	26.73	17.72	0.05	28.11	30.04	3.35	17.32	1,732.83
420160000960	600	7.87	14.37	6.69	11.02	29.09	19.29	0.05	31.02	32.28	3.54	18.7	2.22
420170000960	700	8.46	15.94	7.48	12.6	29.57	21.26	55.71	33.43	35.16	2.76	20.16	2,813.1
420180000960	800	9.06	16.93	7.87	13.66	33.5	21.81	60.91	35.59	36.1	2.76	21.1	3,271.66
420190000960	900	10.04	18.74	8.46	14.69	33.5	22.83	62.95	37.91	38.27	2.76	22.05	3,985.96
420110000961	1,000	10.63	19.69	9.13	15.94	33.5	24.17	64.69	40.55	40.24	2.76	23.23	4,700.26
420112500961	1,250	11.81	18.5	9.65	17.4	36.54	25.59	71.34	45.83	45.04	5.51	26.38	6.47
420115500961	1,550	12.6	23.23	10.63	18.7	37.4	26.77	74.41	48.46	47.64	4.17	27.72	7,844.05