

Vertical Lifting Clamp IPU10/S

Product information



The IPU10S vertical lifting clamps are used for the lifting, turning, moving or vertical transfer of **stainless steel** sheet, plates, or fabrications, from horizontal to vertical and down to horizontal (180°) as needed. The hinged hoisting eye (a.k.a. universal eye) allows for the clamp to place and lift the load from any direction, or with a multiple leg sling without side-loading the clamp. Available in a variety of models:

- IPU10 - Standard clamp for materials with a surface hardness to 363HV10 (345 HB).
- IPU10J - Larger jaw opening.
- IPU10S - For use with Stainless Steel material.
- IPU10H - For use with materials with a surface hardness to 472HV10 (450 HB).

Features:

- Available in capacities of 0.5 thru 12 metric tons
- Higher Working Load Limits are available upon request.
- Wide variety of jaw openings available: 0 to 54 mm.
- Welded alloy steel body for strength and smaller size. Forged alloy components, where required.
- Individually Proof Tested to 2 times the Working Load Limit with certification.
- User manual and test certificate included with each clamp.
- Full 180° turning range for material transfer, turning or moving.
- Lock open, lock closed ability with latch for pretension on material and then release of material.
- Maintenance and repair kits are available.
- All sizes are RFID EQUIPPED.

... [Read more](#)

Material: Alloy Steel. Pivot & cam stainless steel

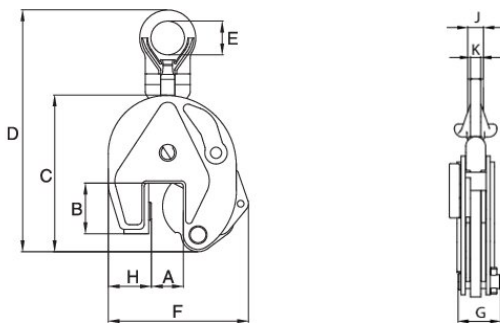
Marking: CE-marked, Logo, WLL, jaw capacity, serial number, proof load test date

Temperature range: -40°C up to +100°C

Warning: A minimum load of 10% of the WLL is required.

Vertical Lifting Clamp IPU10/S

Blueprint



Technical data

Part code	WLL (metric) tonnes	Jaw width in	Model	A in	B in	C in	D in	E in	F in	G in	H in	K in	J in	Weight lb
16.012702275	0.5	0-0.63	0.5-IPU10S	0-0.63	1.73	5.12	8.5	1.57	4.53	1.65	1.1	0.43	-	4.19
16.012702263	1	0-0.79	1-IPU10S	0-0.79	1.77	5.47	8.86	1.57	5	1.65	1.5	0.43	-	5.29
16.012702277	2	0-1.38	2-IPU10S	0-1.38	3.07	7.91	14.49	2.76	7.4	2.52	2.17	0.63	-	18.74
16.012702265	3	0-1.57	3-IPU10S	0-1.57	3.94	9.96	17.17	2.95	8.74	3.07	2.36	0.79	-	32.63
16.012702267	4.5	0-1.57	4.5-IPU10S	0-1.57	3.94	9.96	17.17	2.95	8.94	3.23	2.56	0.79	-	35.27
16.012702269	6	0-1.97	6-IPU10S	0-1.97	4.96	11.89	20.67	3.15	11.5	3.31	3.74	0.79	1.73	52.91
16.012702271	9	0-1.97	9-IPU10S	0-1.97	4.96	12.8	21.73	3.15	12.2	3.7	4.09	0.79	1.73	65.04
16.012702279	12	0-2.13	12-IPU10S	0-2.13	-	-	-	-	-	-	-	-	-	125.66