

## Vertical Lifting Clamp IP10(J)

### Product information



The IP10 series vertical lifting clamps are used for the lifting, turning, moving or vertical transfer of sheet, plates, or fabrications from horizontal to vertical and down to horizontal (180°) as needed. Usually used as a single point pick or when used with a spreader beam with multiple vertical drop lines. Available in a variety of models:

- IP10 - Standard clamp for materials with a surface hardness to 363HV10 (345 HB).
- IP10J - Larger jaw opening.
- IP10S - For use with Stainless Steel material.
- IP10H - For use with materials with a surface hardness to 472HV10 (450 HB).

#### Features:

- Available in capacities of .5 through 30 metric tons
- Higher Working Load Limits are available upon request.
- Wide variety of jaw openings available: 0 to 155 mm.
- Welded alloy steel body for strength and smaller size. Forged alloy components, where required.
- Individually Proof Tested to 2 times the Working Load Limit with certification.
- User manual and test certificate included with each clamp.
- Full 180° turning range for material transfer, turning or moving.
- Lock open, lock closed ability with latch for pretension on material and then release of material.
- For plate surface hardness till 279HV10, only 5% min. WLL is needed.
- Maintenance and repair kits are available.
- All sizes are RFID EQUIPPED.

... [Read more](#)

**Material:** Alloy Steel.

**Marking:** According to standard, CE-marked, WLL, Logo, Jaw opening, Serial number

**Temperature range:** -40°C up to +100°C

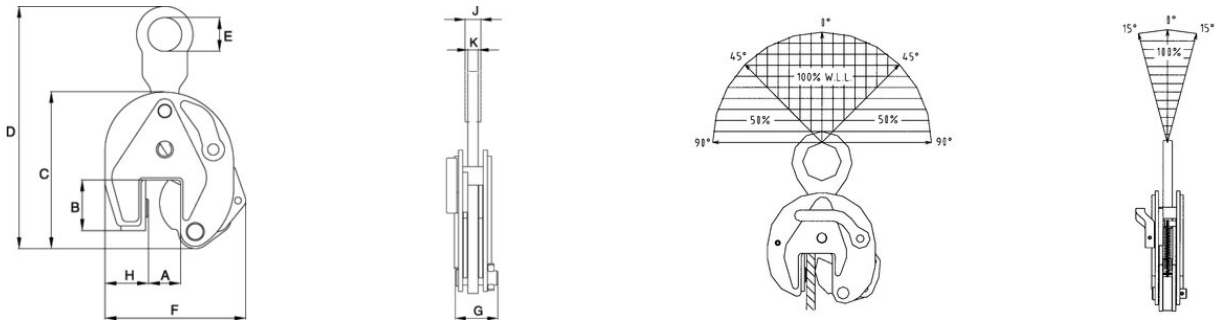
**Standard:** EN 13155

**Warning:** A minimum load of 10% of the WLL is required. Except for WLL 500 kg which requires a minimum load of 5% of WLL.

**Safety factor:** 4:1

## Vertical Lifting Clamp IP10(J)

### Blueprint



### Technical data

Part code	WLL (metric tonnes)	Jaw width in	Model	A in	B in	C in	D, in	E in	F in	G, in	H, in	K in	J in	Weight lb
16.012701674	0.5	0-0.63	IP10	0-0.63	1.73	5.12	7.99	1.57	4.53	1.65	1.1	0.43	-	3.97
16.012701646	0.5	0.59-1.18	IP10J	0.59-1.18	1.77	5.04	8.23	1.57	5.04	1.65	1.26	0.43	-	3.97
16.012701662	1	0-0.79	IP10	0-0.79	1.77	5.47	8.35	1.57	5	1.65	1.5	0.43	-	4.85
-	1	0.79-1.57	IP10J	0.79-1.57	2.17	5.94	8.15	1.57	5.55	1.65	1.61	0.43	-	5.51
16.012701676	2	0-1.38	IP10	0-1.38	3.07	7.91	12.99	2.76	7.4	2.52	2.17	0.63	-	16.76
16.012701664	3	0-1.57	IP10	0-1.57	3.94	9.96	17.09	2.95	8.74	3.07	2.36	0.79	-	30.42
-	3	1.57-3.15	IP10J	1.57-3.15	4.53	10.67	17.01	2.95	10.87	3.07	2.64	0.79	-	36.16
16.012701666	4.5	0-1.57	IP10	0-1.57	3.94	9.96	17.09	2.95	8.94	3.23	2.56	0.79	-	33.07
-	4.5	1.57-3.15	IP10J	1.57-3.15	4.53	10.67	17.01	2.95	11.06	3.23	2.83	0.79	-	39.68
-	6	0-1.97	IP10	0-1.97	4.96	11.89	20.35	3.15	11.5	3.31	3.74	0.79	1.57	50.27
16.012701705	6	1.97-3.94	IP10J	1.97-3.94	4.96	11.89	19.92	3.15	13.23	3.31	3.74	0.79	1.57	54.01
16.012701670	9	0-1.97	IP10	0-1.97	4.96	12.8	21.42	3.15	12.2	3.7	4.09	0.98	1.73	65.7
16.012701672	9	1.97-3.94	IP10J	1.97-3.94	4.96	12.8	21.34	3.15	14.17	3.7	4.13	0.98	1.73	72.97
16.012701678	12	0-2.13	IP10	0-2.13	6.3	15.43	22.6	3.15	17.05	4.76	5.39	0.98	1.61	111.11
16.012701680	12	2.13-4.25	IP10J	2.13-4.25	7.01	17.24	24.41	3.15	19.33	4.76	5.35	0.98	1.61	127.87
16.012701682	16	0.2-2.52	IP10	0.2-2.52	7.09	18.23	27.01	3.46	19.37	4.76	6.02	0.98	1.77	149.91
16.012701684	16	2.52-5.04	IP10J	2.52-5.04	8.19	20.51	28.9	3.46	22.13	4.76	6.3	0.98	1.77	176.37
16.012701686	22.5	0.2-3.15	IP10	0.2-3.15	8.74	21.81	31.61	4.33	22.24	6.02	7.32	0.98	1.93	238.1
16.012701688	22.5	3.15-6.1	IP10J	3.15-6.1	10.04	24.72	34.76	4.33	25.98	5.47	7.72	0.98	1.93	286.6
16.012701690	30	0.2-3.15	IP10	0.2-3.15	8.74	21.81	31.61	4.33	22.24	6.02	7.32	1.18	2.13	273.37
16.012701692	30	3.15-6.1	IP10J	3.15-6.1	10.04	24.72	34.92	4.33	25.98	6.02	7.72	1.18	2.13	335.1