



Shackle Trawl (WLL 4:1)

WLL	Size	Part Number
2 ton	1/2"	2020816
3-1/4 ton	5/8"	2021016
4-3/4 ton	3/4"	2021216
6-1/2 ton	7/8"	2021416
8-1/2 ton	1"	2021616
9-1/2 ton	1 1/8"	2021816
12 ton	1 1/4"	2022016



Shackle Chain, Screw Pin Yellow

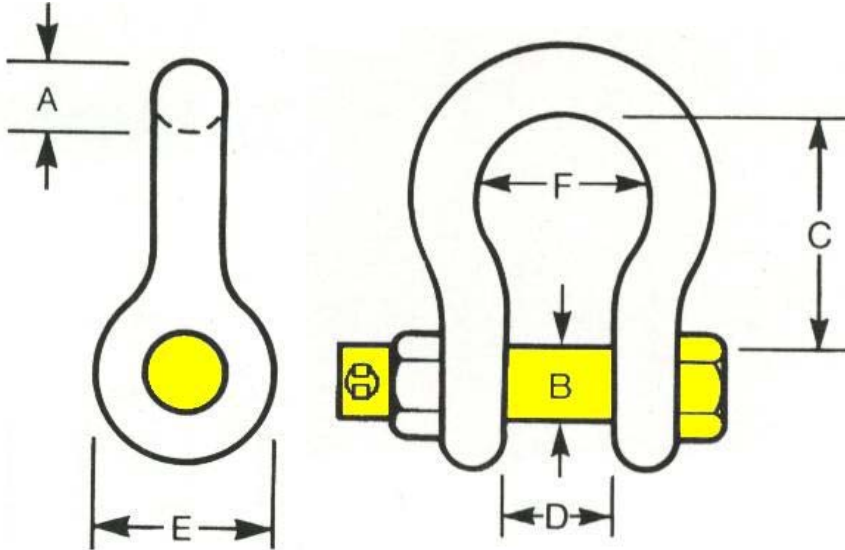
Size	WLL	Wt. Each	Dimensions (in.)						Part Number
			gap	pin	stock	Inside length	palm	Pin length	
1/4"	1/2	.12	.47	.31	.25	.88	.61	1.38	2040416
5/16"	3/4	.17	.53	.38	.31	1.03	.75	1.66	2040516
3/8"	1	.25	.66	.44	.38	1.25	.91	2.03	2040616
1/2	2	.70	.81	.63	.50	1.63	1.19	2.69	2040816
5/8	3-1/4	1.24	1.06	.75	.63	2.00	1.56	3.34	2041016
3/4	4-3/4	2.18	1.25	.88	.81	2.38	1.88	3.97	2041216
7/8	6-1/2	3.28	1.44	1.00	.97	2.81	2.13	4.50	2041416
1	8-1/2	4.80	1.69	1.13	1.00	3.19	2.38	5.07	2041616



Shackles - Rated Bow 316SS "Forged"

Size	WLL 4:1	Part Number
1/4"	1/2 ton	20SS0416
5/16"	3/4 ton	20SS0516
3/8"	1 ton	20SS0616
1/2"	2 ton	20SS0816
5/8"	3-1/4 ton	20SS1016
3/4"	4-3/4 ton	20SS1216



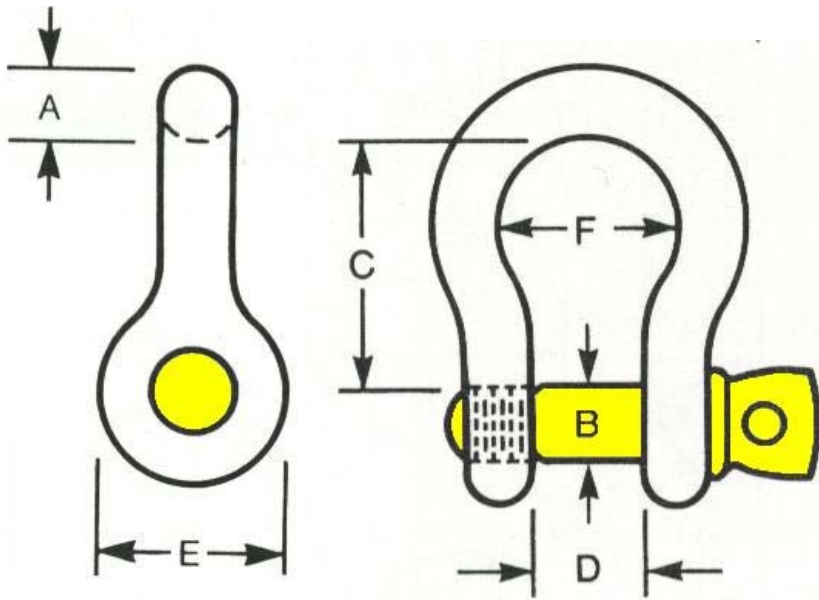


Shackle Anchor, Safety Pin Yellow (6:1 WLL) Galvanized, dimensions (in) approx.

Conforms to Federal Specification RR-C-271D, Type IVA or Type IVB,

Grade A, Class 3

Size	WLL	Dimensions (in)							Wt. (lbs)	Part Number
		A	B	C	D	E	F	Pin length		
3/8"	1	0.38	0.44	1.44	0.66	0.91	1.03	2.17	0.33	2050616
7/16"	1-1/2	0.44	0.50	1.69	0.75	1.06	1.16	2.51	0.49	2050716
1/2	2	0.50	0.63	1.88	0.81	1.19	1.31	2.80	0.79	2050816
5/8	3 1/4	0.63	0.75	2.38	1.06	1.50	1.69	3.53	1.68	2051016
3/4	4 3/4	0.75	0.86	2.81	1.25	1.81	2.00	4.07	2.72	2051216
7/8	6 1/2	0.88	1.00	3.31	1.44	2.09	2.28	4.71	3.95	2051416
1	8 1/2	1.00	1.13	3.75	1.69	2.38	2.69	5.31	5.66	2051616
1 1/8	9 1/2	1.13	1.25	4.25	1.81	2.69	2.91	5.90	8.27	2051816
1 1/4	12	1.25	1.38	4.69	2.03	3.00	3.25	6.51	11.71	2052016
1 3/8	13 1/2	1.38	1.50	5.25	2.25	3.31	3.63	7.21	15.83	2052216
1 1/2	17	1.50	1.63	5.75	2.38	3.63	3.88	7.73	20.80	2052416
1 3/4	25	1.75	2.00	7.00	2.88	4.19	5.00	9.05	33.91	2052816
2	35	2.00	2.25	7.75	3.25	4.81	5.75	10.41	52.25	2053216



Shackle Anchor, Screw Pin Yellow (6:1 WLL), Galvanized, Dimensions (in) approx.

Conforms to Federal Specification RR-C-271D, Type IVA, Grade A, Class 1

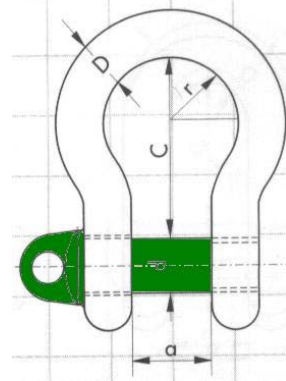
or Class 2

Size	WLL)	Dimensions (in)						Weight (lbs)	Part Number
		A	B	C	D	E	F		
3/16	1/3	0.19	0.25	0.88	0.38	0.56	0.56	0.06	2000316
1/4	1/2	0.25	0.31	1.13	0.47	0.61	0.61	0.10	2000416
5/16	3/4	0.31	0.38	1.22	0.53	0.75	0.75	0.19	2000516
3/8	1	0.38	0.44	1.44	0.66	0.91	0.91	0.31	2000616
7/16	1 1/2	0.44	0.50	1.69	0.75	1.06	1.06	0.38	2000716
1/2	2	0.50	0.63	1.88	0.81	1.19	1.19	0.72	2000816
5/8	3 1/4	0.62	0.75	2.38	1.06	1.50	1.50	1.37	2001016
3/4	4 3/4	0.81	0.88	2.81	1.25	1.81	1.81	2.35	2001216
7/8	6 1/2	0.97	1.00	3.31	1.44	2.09	2.09	3.62	2001416
1	8 1/2	1.06	1.13	3.75	1.69	2.38	2.38	5.03	2001616
1 1/8	9 1/2	1.25	1.25	4.25	1.81	2.69	2.69	7.41	2001816
1 1/4	12	1.38	1.38	4.69	2.03	3.00	3.00	9.05	2002016
1 3/8	13 1/2	1.50	1.50	5.25	2.25	3.31	3.31	13.53	2002216
1 1/2	17	1.62	1.63	5.75	2.38	3.63	3.63	17.20	2002416
1 3/4	25	2.25	2.00	7.00	2.88	4.19	4.19	27.78	2002816
2	35	2.40	2.25	7.75	3.25	4.81	4.81	45.00	2003216
2-1/2	55	3.13	2.75	10.50	4.13	5.69	5.69	85.75	2004016



GREEN PIN VanBeest Shackle Screw Pin (6:1 WLL) – “Made in Holland”

WLL	Size	D	d	a	C	2r	Weight	Part Number
1/3 tonne	3/16"	5	6	9.5	22	16	0.02	2090316GP
1/2 tonne	1/4"	7	8	12	29	20	0.06	2090416GP
3/4 tonne	5/16"	9	10	13.5	32	21	0.11	2090516GP
1 tonne	3/8"	10	11	17	36.5	26	0.15	2090616GP
1.5 tonne	7/16"	11	12	18.5	43	29	0.21	2090716GP
2 tonne	1/2"	13.5	16	22	51	32	0.37	2090816GP
3.25 tonne	5/8"	16	19	27	64	43	0.65	2091016GP
4.75 tonne	3/4"	19	22	31	76	51	1.06	2091216GP
6.5 tonne	7/8"	22	25	36	83	58	1.56	2091416GP
8.5 tonne	1"	25	28	43	95	68	2.32	2091616GP
9.5 tonne	1 1/8"	28	32	47	108	75	3.28	2091816GP
12 tonne	1 1/4"	32	35	51	115	83	4.51	2092016GP
13.5 tonne	1 3/8"	35	38	57	133	92	5.93	2092216GP
17 tonne	1 1/2"	38	42	60	146	99	7.89	2092416GP
25 tonne	1 3/4"	45	50	74	178	126	13.40	2092816GP
35 tonne	2"	50	57	83	197	138	18.85	2093216GP



GREEN PIN VanBeest Shackles – Safety (6:1 up to 120 t, 5:1 above 120 t) – Made in Holland”

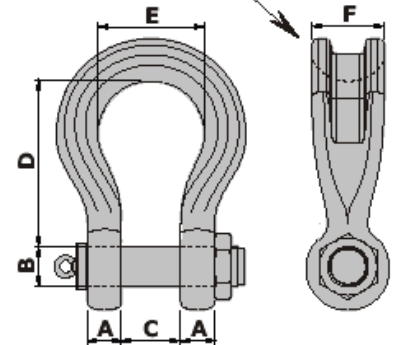
WLL	Size	D	d	a	C	2r	Wt kg	Part Number
1/2 tonne	1/4"	7	8	12	29	20	0.07	210416GP
3/4 tonne	5/16"	9	10	13.5	32	21	0.13	210516GP
1 tonne	3/8"	10	11	17	36.5	26	0.17	210616GP
1.5 tonne	7/16"	11	12	18.5	43	29	0.25	210716GP
2 tonne	1/2"	13.5	16	22	51	32	0.44	210816GP
3.25 tonne	5/8"	16	19	27	64	43	0.79	211016GP
4.75 tonne	3/4"	19	22	31	76	51	1.26	211216GP
6.5 tonne	7/8"	22	25	36	83	58	1.88	211416GP
8.5 tonne	1"	25	28	43	95	68	2.78	211616GP
9.5 tonne	1 1/8"	28	32	47	108	75	3.87	211816GP
12 tonne	1 1/4"	32	35	51	115	83	5.26	212016GP
13.5 tonne	1 3/8"	35	38	57	133	92	6.94	212216GP
17 tonne	1 1/2"	38	42	60	146	99	8.79	212416GP
25 tonne	1 3/4"	45	50	74	178	126	14.99	212816GP
35 tonne	2"	50	57	83	197	138	20.65	213216GP
55 tonne	2 1/2"	65	70	105	260	180	41.05	214016GP
85 tonne	3"	75	80	127	330	190	62.24	214816GP
120 tonne	3-1/2"	90	95	146	381	238	110	215616GP
140 tonne	3-1/2"	90	95	133	381	238	105	215816GP
150 tonne	4"	102	108	170	400	275	160	216416GP
175 tonne	4"	102	108	140	400	250	150	216616GP
200 tonne	4-3/4"	120	125	180	500	290	235	217616GP
250 tonne	5"	125	140	200	540	305	285	218016GP
300 tonne	5-3/8"	135	150	200	600	305	340	218616GP



Shackles from 400 te to 1000 te priced on request



Shackles Sling Protector style – 5:1 safety factor, Alloy steel quenched and tempered, 3.1B, manufacturer and proof load certificates, on request 3.1C, MPI, US, Witness DNV, Lloyds, ABS, BV, etc. “Made in Holland”



WLL	A	B	C	D	E	F	Wt kg	Part Number
75 te	70	70	105	290	186	120	70	21WBS075
125 te	85	80	130	365	220	150	120	21WBS125
150 te	90	95	140	390	250	170	160	21WBS150
200 te	100	105	150	480	275	205	230	21WBS200
250 te	110	120	170	540	300	240	320	21WBS250
300 te	120	134	185	600	350	265	340	21WBS300
400 te	150	160	220	575	370	320	620	21WBS400

Shackles from 500 t to 2500 t pricing on request