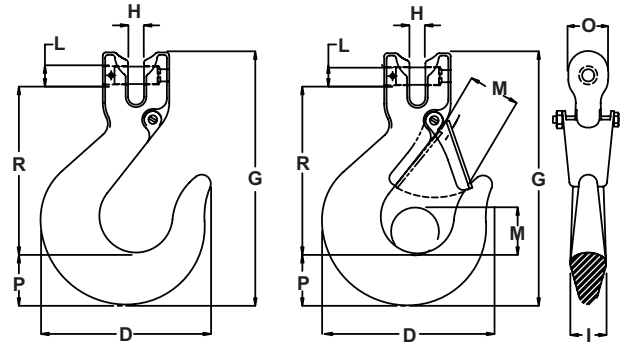


Clevlok Sling Hook



- Available with and without a latch
- Quench and tempered alloy steel
- CM's clevlok head design
- 100% proof tested
- Fatigue rated
- Replacement pin and latch kit available



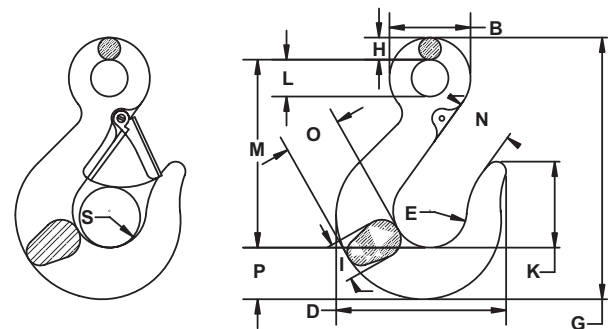
Overhead Lifting

Size	Working Load Limit	Product Code w/ latch	Product Code w/o latch	Latch Kit	Dimensions									Weight w/o latch	
					D	G	H	I	L	M	O	P	R		
Imperial															
in.	lb.				in.	in.	in.	in.	in.	in.	in.	in.	in.	in.	lb.
9/32	3,500	658318	658338	595523	3.50	5.16	0.33	0.73	0.36	1.19	0.81	1.21	3.44	1.20	
3/8	7,100	658319	658339	595525	4.34	6.67	0.45	0.95	0.51	1.47	1.09	1.45	4.53	2.30	
1/2	12,000	658320	658340	595528	5.50	8.00	0.59	1.17	0.63	1.78	1.28	1.75	5.27	4.33	
5/8	18,100	658321	658341	595529	6.28	9.69	0.75	1.44	0.75	2.03	1.44	2.19	6.08	8.10	
3/4	28,300	658322	658342	595530	7.83	11.69	0.88	1.69	0.91	2.50	1.75	2.56	7.34	12.70	

Eye Sling Hook



- Available with and without latch
- Quench and tempered alloy steel
- 100% proof tested
- Fatigue rated
- Replacement latch available



Size	Working Load Limit	Product Code w/ latch	Product Code w/o latch	Latch Kit	Dimensions												Weight w/o latch	
					B	D	E	G	H	I	K	L	M	N	O	P		S
Imperial																		
in.	lb.				in.	in.	in.	in.	in.	in.	in.	in.	in.	in.	in.	in.	lb.	
7/32	2,100	558544	458544	595461	--	3.31	1.44	4.30	.38	.78	1.25	.75	3.06	1.25	1.00	.86	1.11	0.66
9/32	3,500	558322	458722	595523	1.63	3.50	1.50	5.25	.44	.73	1.59	.75	3.75	1.19	1.20	1.05	1.06	1.10
3/8	7,100	558325	458725	595525	2.06	4.33	1.88	6.64	.56	.95	2.19	.94	4.78	1.44	1.45	1.28	1.31	1.90
1/2	12,000	558328	458728	595528	2.63	5.50	2.25	8.16	.75	1.17	2.56	1.13	5.69	1.78	1.94	1.66	1.63	4.30
5/8	18,100	558329	458729	595529	3.06	6.34	2.63	9.66	.88	1.44	2.63	1.31	6.50	2.03	2.38	2.19	1.75	7.30
3/4	28,300	558330	458730	595530	3.50	7.83	3.00	11.38	1.00	1.69	3.44	1.50	7.81	2.50	2.83	2.51	2.19	12.50
7/8	34,200	558332	458732	595532	3.88	8.59	3.38	12.72	1.09	1.94	3.88	1.69	8.75	2.78	3.22	2.84	2.38	18.10
1	47,700	558333	458733	595533	4.31	9.59	4.00	14.23	1.22	2.14	4.25	1.88	9.88	3.13	3.55	3.09	2.88	22.60
1-1/4	72,300	558335	458735	595535	5.31	11.56	4.66	17.00	1.50	2.62	4.64	2.31	11.50	3.88	4.25	3.89	3.41	47.00